

017R9515

017R9515

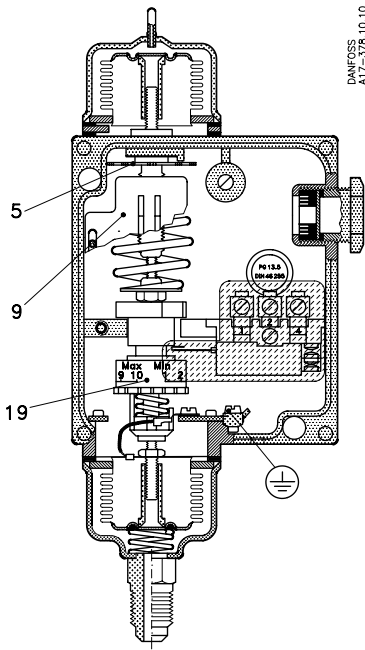


Fig. 1

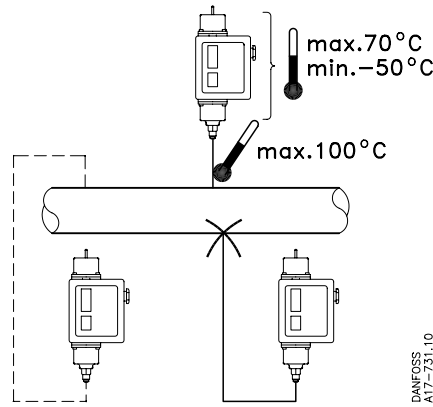


Fig. 2

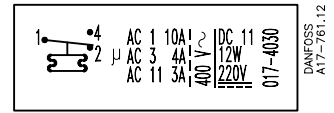


Fig. 3

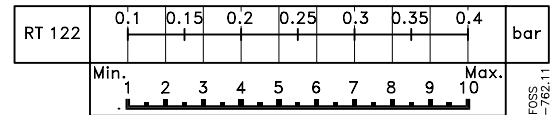


Fig. 4

Technical data:

Pressure control with barometric pressure reading type RT 122.

Regulating range:

$p_e = -1$ to -0.2 bar
 $p = 0$ to 0.8 bar

Max. working pressure: 85 psi (6 bar)
 Ambient temperature: -50°C to 70°C
 Pressure connection: max. 100°C .

Installation:

The pressure control is mounted as shown in fig. 2. The pressure connection can be made by the aid of a capillary tube.

Contact load:

The contacts 1-4 close at rising pressure. The contacts 1-2 close at falling pressure. See fig. 3.

Setting:

Adjust the lowest operating pressure with the setting disc (5) and read at the same time the main scale (9), see fig. 1. Adjust the difference with the setting nut (19) according to the nomogram in fig. 4. Highest operating pressure = Lowest operating pressure + differential.

Example:

A compressor has to start at $P_{abs} = 0.6$ bar and stop at $P_{abs} = 0.4$ bar.

1. Connect the compressor with the terminals 1 - 4 of the pressure control.
2. Set the lowest operating pressure 0.4 bar with the setting disc (5).
3. Adjust the setting nut (19) to 4 (corresponding to a difference of 0.2 bar).

The number 4 is to be read from the nomogram in fig. 4.